

Memo

Type of product			
Date of purchase			
Name		Tel	
Address			

PURE-PRO 07 REVERSE OSMOSIS SYSTEM

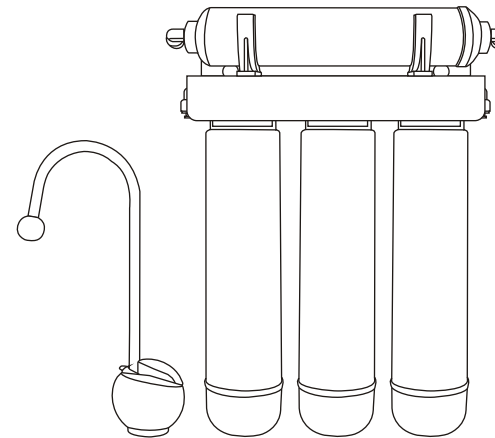
PUREPRO
DRINKING WATER SYSTEM

WATER FILTRATION SYSTEMS

RS3000M

USER'S MANUAL

- 01 Introduction of RS3000M
- 02 Cartridge filters
- 03 Components & Other selections
- 04 Tubing connection diagram
- 05 Installation diagram
- 06 Change filters



Thank you very much for selecting Pure-Pro Water Corp.
In order to bring the best use of your system, please read the user's manual carefully before installation and follow the regulations.

RS3000M Easy-change cartridge water filters

PUREPRO
DRINKING WATER SYSTEM

Introduction of RS3000M

RS3000M Undersink water filters

Our RS3000M filters safely and effectively remove microorganisms like Giardia and Cryptosporidium from your water protecting you and your family from parasitic illnesses caused by these contaminants.

The patented quick-change filter technology also improves the taste and overall quality of your water by reducing the amount of Lead, Chlorine, Asbestos and other impurities often found in water supplies.

Mineral Filter

This filter improves the qualities of clean water by adding necessary for proper human development and health minerals, such as Calcium, Magnesium, Sodium, Potassium and others readily found in many natural mineral waters. Mainly installed with RO systems to complement their absolute filtration qualities.

Features

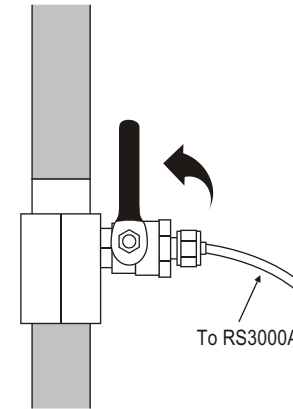
- Complete 4 stage water filter system.
- Use twist and quick-change cartridge design makes filter changes fast, clean and easy.
- Feed water connector & deliver valve
- Completely Assembled & Water leaking testing
- 100% Factory Tested and Sterilized Ready for Installation.
- European design goldentype faucet.(optional)

Specifications

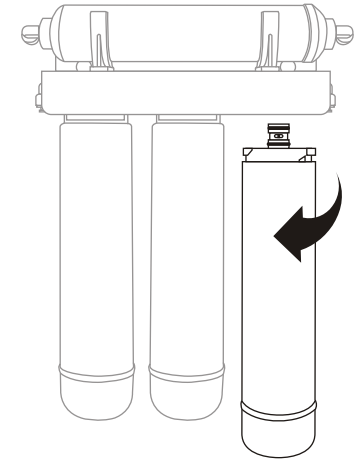
- Dimensions: (cm)34.0 (L)x 36.0(H) x 9.0 (W)
- Weight: 5.5 kg

Change filters

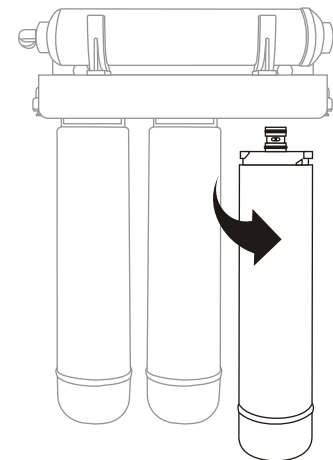
1. Turn off water source.



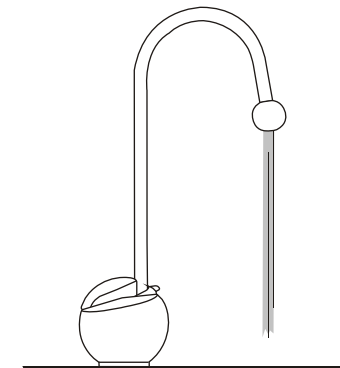
2. Loosen the used pre-filter clockwise and remove it.



3. Screw in and install the new filter anticlockwise.



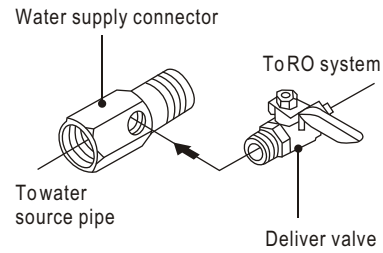
4. Turn on water supply.



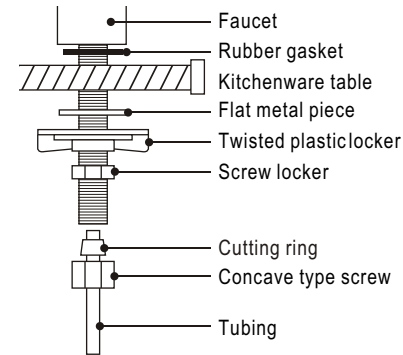
Drain out 1 Gallon of water to purify replacement filters.

Installation diagram

Input water :



Install European ceramic faucet :



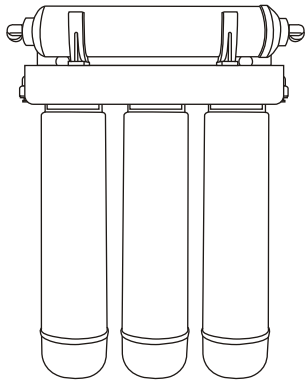
Cartridge filters

Filter Description

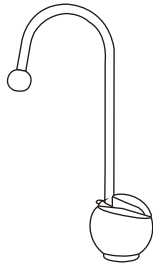
RS300ST	RS300ND	RS300RD	Mineral Filter
1	2	3	4
Stage 1 5 Micron Sediment Filter	Stage 2 GAC Carbon Filter	Stage 3 GAC Carbon Filter	Stage 4 Mineral Filter
With only five micron rating. It is effective in removing dirt, rust and sand particles.	It takes out 99% of the chlorine and organic chemicals. It provides enhanced reduction of taste, odor, and color.	It takes out 99% of the chlorine and organic chemicals. It provides enhanced reduction of taste, odor, and color.	This filter improves the qualities of clean water by adding necessary for proper human development and health minerals, such as Calcium, Magnesium, Sodium, Potassium and others readily found in many natural mineral waters.

Components & Other selections

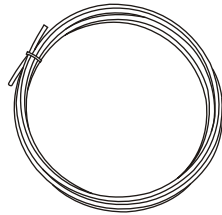
Components



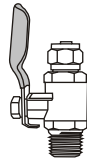
RS3000M



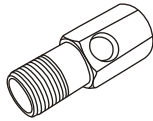
European ceramic faucet



Tubing

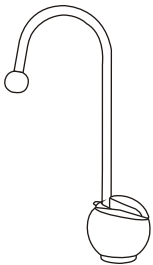


Deliver-valve

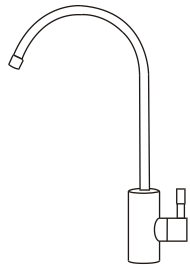


Water supply connector

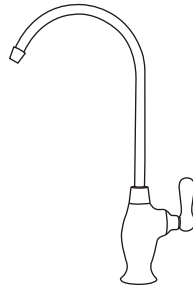
Other selections



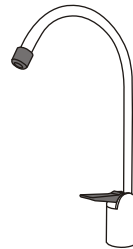
Faucet # 216



Faucet # 101



Faucet # 124

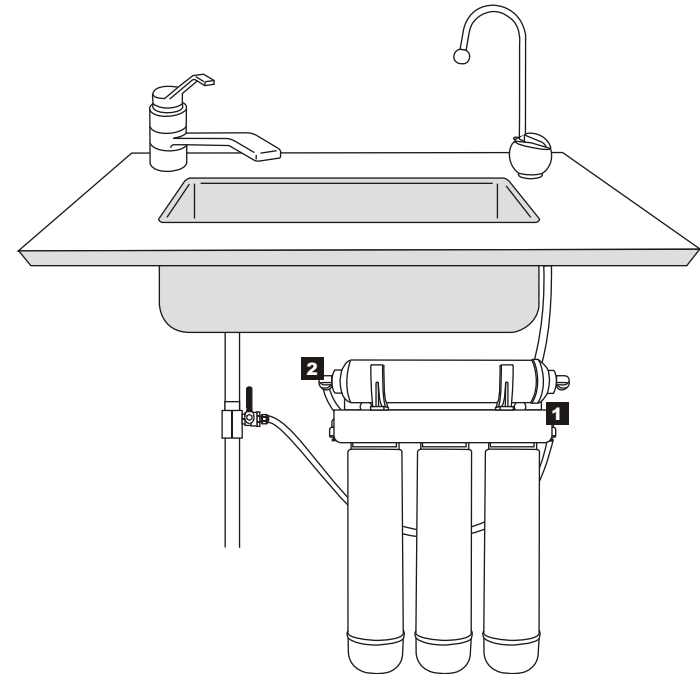


Faucet # 217

RS3000M Easy-change cartridge water filters

Tubing connection diagram

- 1** In Let
- 2** Out Let



RS3000M Easy-change cartridge water filters