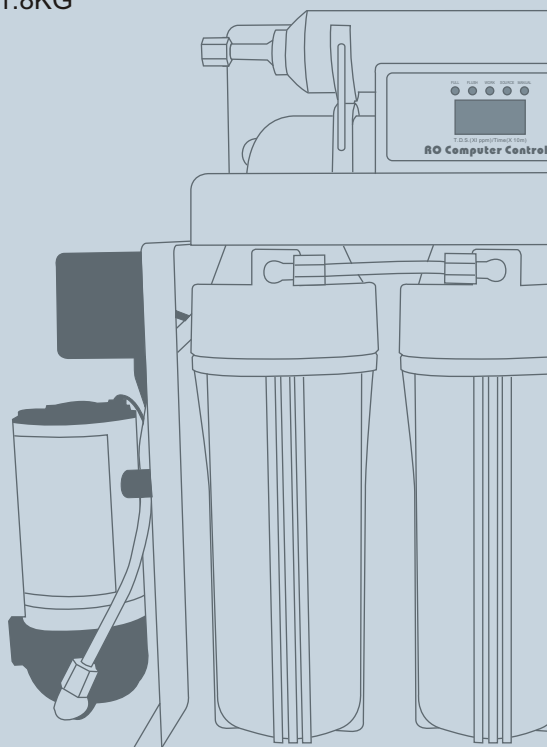


www.purepro.net

# PUREPRO RO BOOSTER PUMP



MODEL: HF-8367  
VOLTAGE: DC 24 V  
PRESSURE: 70~100PSI  
INLET"0": BY PASS 80 PSI  
PRIME: SELF-PRIMING UP TO 2~3 METER  
POWRE:100 GPD  
PORTS: 3/8" 18NPT  
N.W.: 1.8KG



MOTOR: 24VDC  
PUMP: 80PSI (BY PASS)

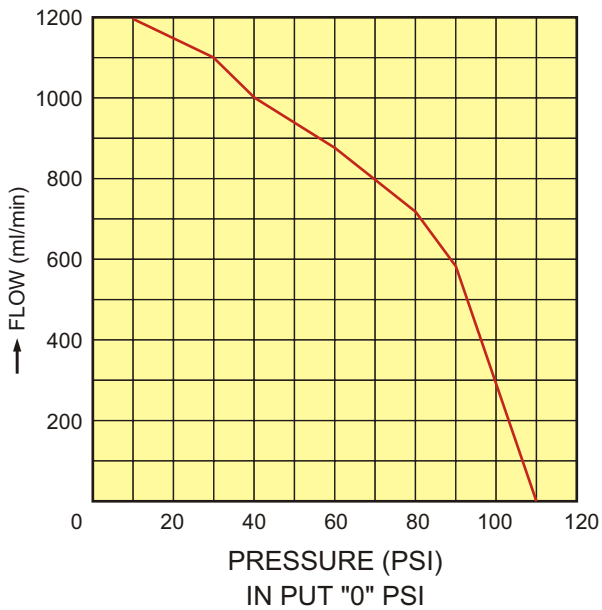
PRESSURE (PSI)	FLOW (LPM)	CURRENT (AMPS)
OPEN	1.3	0.3
10	1.25	0.34
20	1.15	0.4
30	1.1	0.46
40	1.0	0.5
50	0.92	0.54
60	0.87	0.58
70	0.8	0.64
80	0.73	0.68
90	0.57	0.73
100	0.32	0.78
110	0	0.8

IN PUT FLOW: "0" PSI  
WITH TRANSFORMER  
INPUT: AC110V / 60HZ  
OR230V / 50HZ  
OUTPUT: DC24V / 1.2A

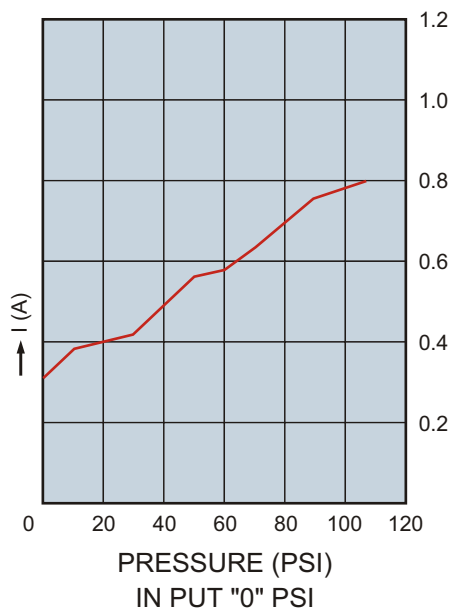
© PUREPRO USA CORP., ILLINOIS, U.S.A.

# PUREPRO RO BOOSTER PUMP

**OUTLET CURVE**

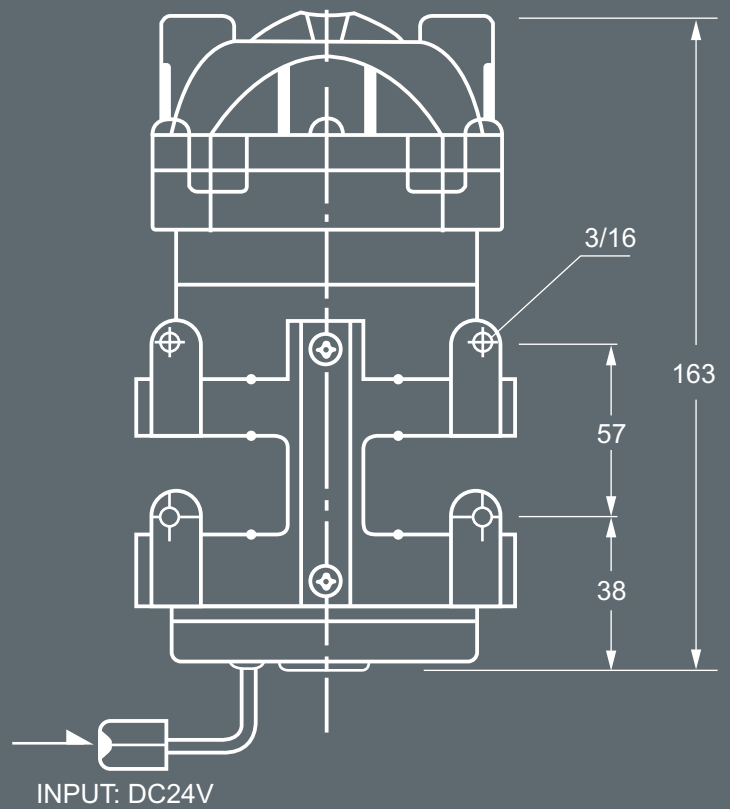
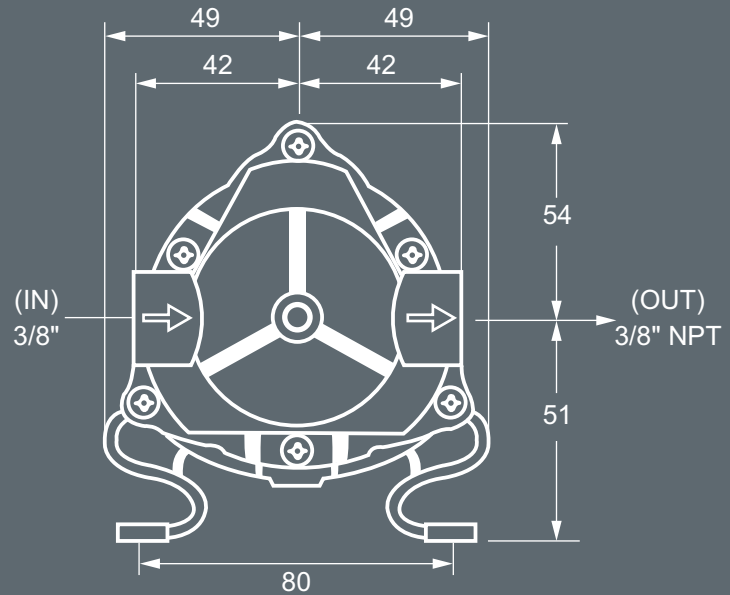


**CURRENT CURVE**



**HF-8367 PUMP SIZE**

UNIT: m/m



© PUREPRO USA CORP., ILLINOIS, U.S.A.