

◆ **Conditions of guarantee**

Type of product	MH-943		
Date of purchase			
Name		Tel	
Address			

Your distiller is guaranteed for one year against faulty manufacture. The product is made of high quality material, and extra cautious care has been taken during its manufacturing. In order to operate and maintain the system properly, please follow the instruction manual.

This warranty is not suit in the following circumstances:

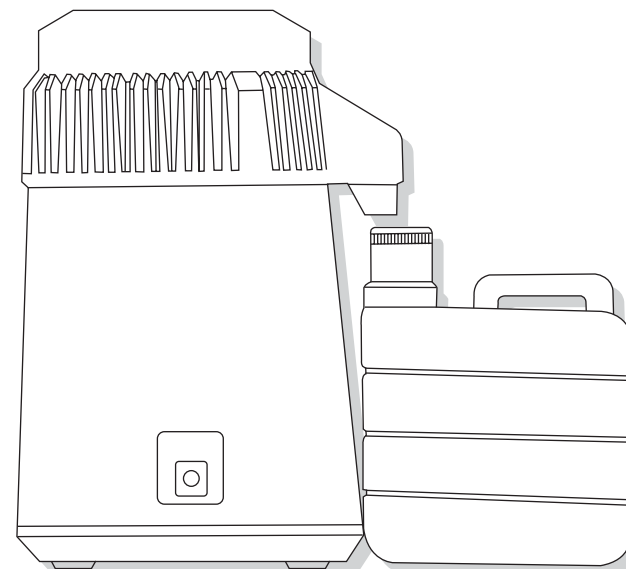
1. The distiller has been dismantled by an unauthorized sale person/shop.
2. Incorrect voltage is applied to operate the system.
3. The parts of distiller are taken out by yourself and are damaged.
4. The distiller is damaged under any non-natural breakdown.
5. Damaged caused by using an unauthorized transformer.



MH-943

WATER DISTILLER

USER'S MANUAL

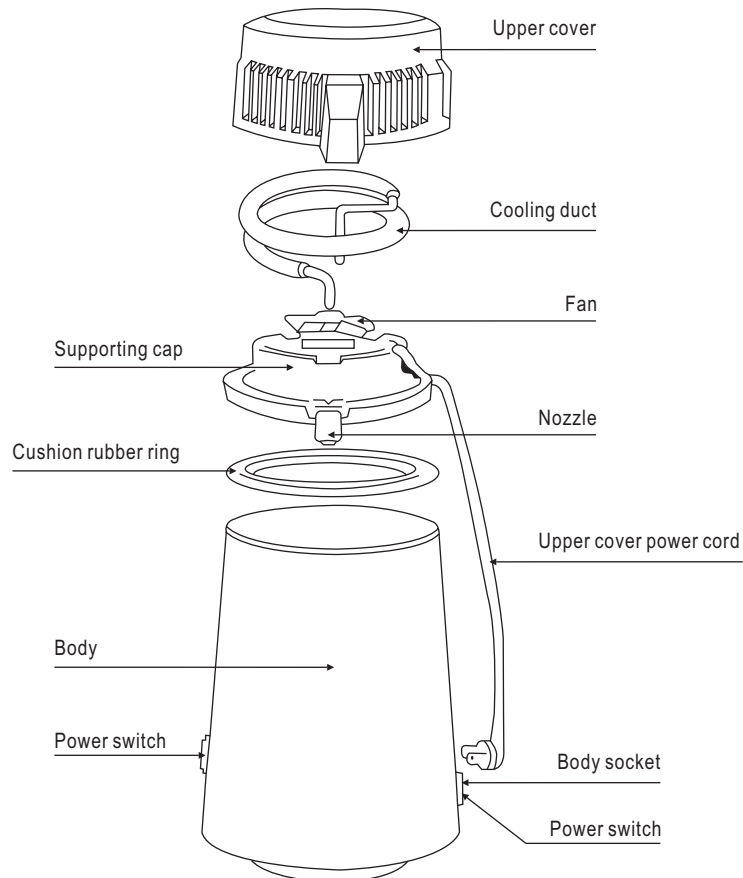


In order to bring the best use of your system, please read the user's manual carefully before installation and follow the regulations.

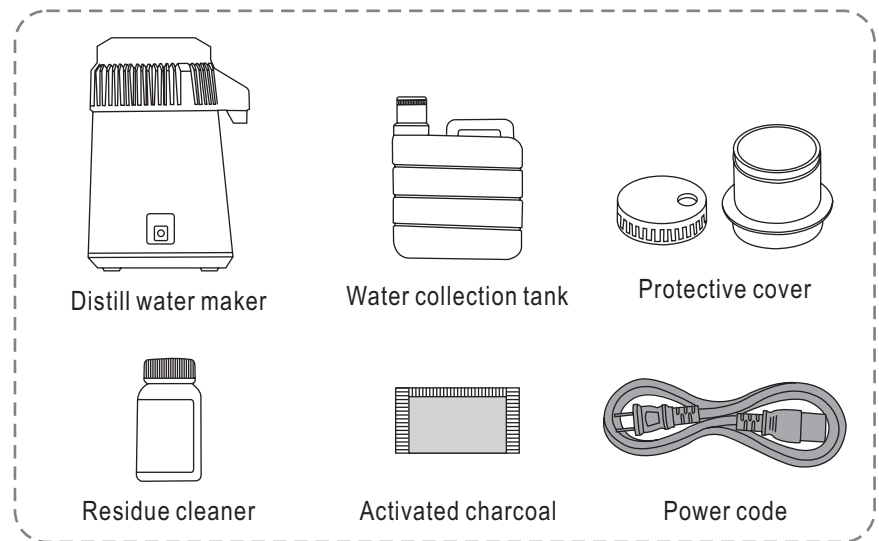
◆ Introduction of MH-943

MH-943 No Plumbing Countertop Drinking Water Systems

Comply with the most advanced steam distillation technology and carbon filtration, MH943 provides you clean, pure, safe drinking water while enhancing the natural flavor of juice, soup, coffee, tea and other beverages. Distillation effectively removes contaminants such as chemical toxins, radioactive elements, inorganic minerals, biological organism, etc. While no plumbing is required, MH943 is the most ideal portable drinking water system which you can easily get pure clean water from for your family, plants, pets, contact lenses, photograph development and medical usage.



◆ Components



◆ Specifications

- Power: 240 VAC - 50Hz - 580W (Total)
- Heater 565W / Cooling Fan 15W
- Distillate capacity approx. 3.2 liters in 4.5 hours
- Production up to 17 liters in 24 hours
- Detachable grounded power cord
- Water purification by steam distillation & carbon filtration
- Easier purify the sea water / river, etc
- Reduces lead, arsenic, nitrates, sodium and chromium VI
- Reduces 99.9% of Total Dissolved Solids (TDS).
- Advanced design countertop appliance
- Advanced design Euro-style appliance
- Automatic shut-off after each cycle
- Gaseous vent & Post carbon treatment system
- Stainless steel boiler with 4 liters capacity
- Stainless steel condenser
- Enclosed heating element for long life
- Portable ideal for home, boat, traveling etc.
- 20cm(L) x 40 cm(W)x 36cm(H)
- Net weight 7.75lbs (3.5 Kgs)

◆ For Your Own Safety

A. Leave the distiller with a dry, flat, heat-tolerant surface, and keep it away from any heat source. The distiller also needs a well ventilate space for cooling fan uses air to cool it.



B. Do not share the same outlet with other electrical appliance to prevent from overloading.

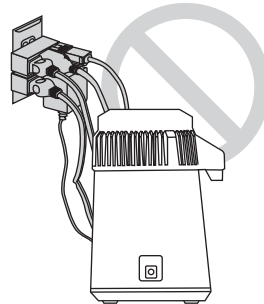
C. Do not use an extension cord.

D. Do not pour boiling water into the collection water tank.



E. Do not remove the distiller lid when it shows on. Before removing the lid to refill, wait at least 20 minutes after the distillation is completed (use the handle attached to the lid).

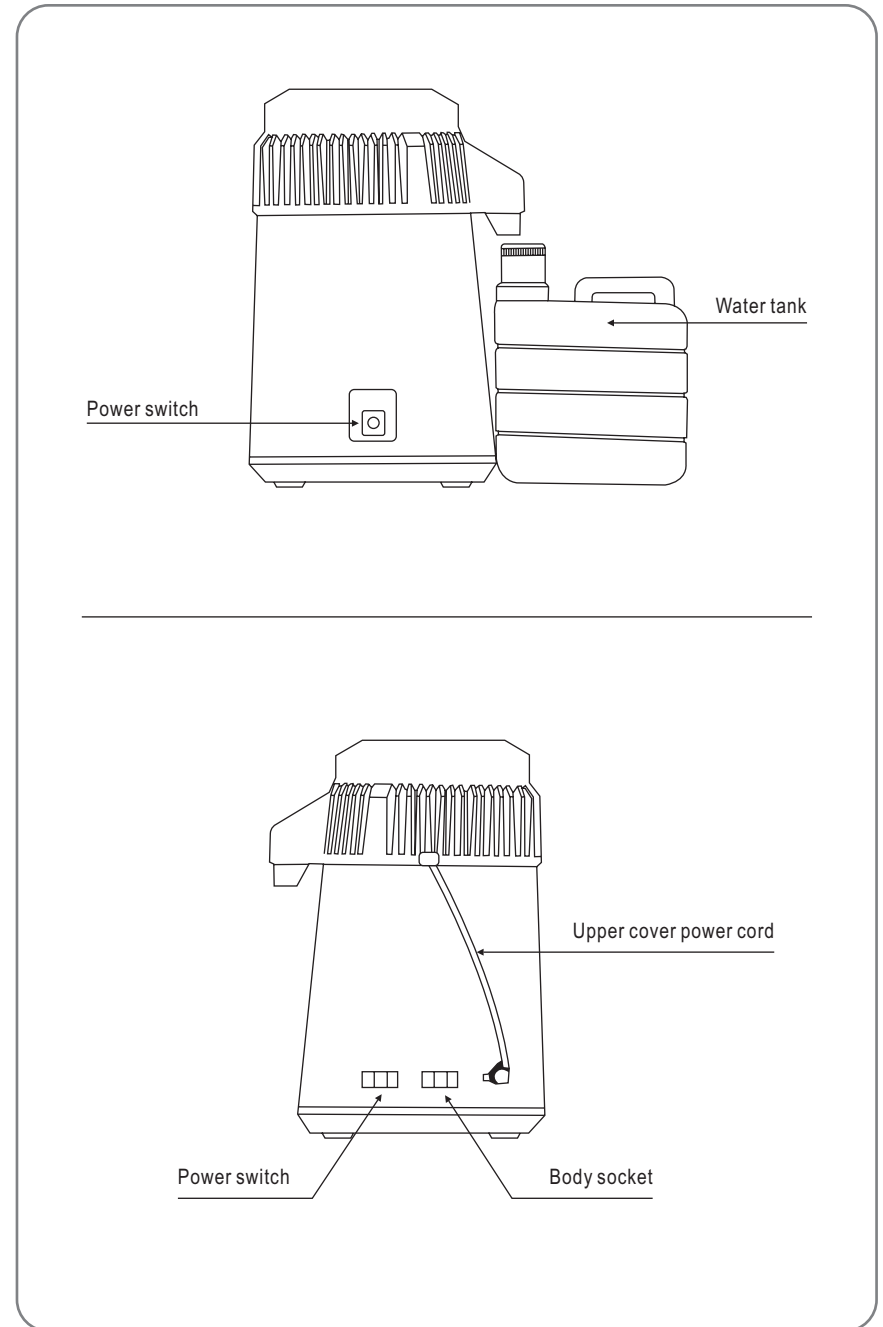
F. Unplug the main power cord when filling, cleaning, or not using the distiller.



G. Never soak any part of the distiller in water. Keep the outside part dry.

H. Unplug the main power cord if you wish to stop the distillation process earlier.

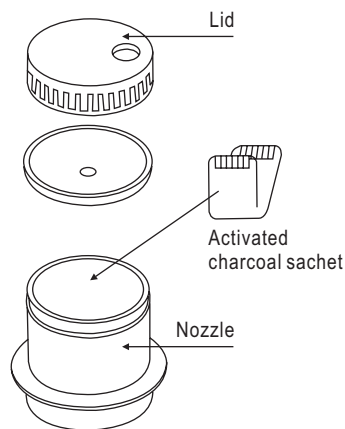
I. Keep it away from little kids.



◆ Operation regulations

A. Install activated charcoal sachet

1. Soak a new activated charcoal sachet in water to remove dust.
2. Turn the bottle lid with the hole, and unscrew it from the nozzle compartment.
3. Fold the activated charcoal sachet in half, and put it into the nozzle.
4. Reassemble the lid.
5. Put the lid with the hole onto the collection bottle, lining it up with the spout on the distiller.



NOTE: Each activated charcoal sachet can be used for up to a month. Please replace it regularly. The activated charcoal dust is harmless and functions as removing odors and raising the taste of water.

B. Filling the distiller with water

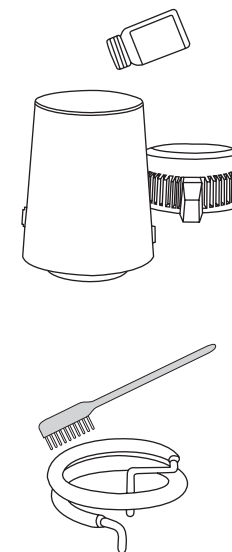
1. Pour water into the distiller boiling chamber and be careful not to fill over the internal "fill line" (about 5cm from the top).
2. If you use hot water from a kettle, the total distillation time shall be reduced.

C. To distill water

1. Pull the upper cover from the boiling chamber, allowing for the plug.
2. Pour water into the stainless steel boiling chamber. *Make sure not to fill past the line marked inside the boiling chamber.
3. Place the upper cover on the distiller. *Be sure that any spillage outside the distiller is dried off, and the electrical sockets are dry before plugging the power cord into the socket on the distiller.
4. Line up the lid with the hole on the collection bottle with the distiller nozzle. Insert the main power cord into the power socket, and turn the power switch on.
* You will hear the fan start to function immediately.
5. The RESET button on the distiller is set by the factory at "ON" position.
6. For subsequent cycles, please press firmly on the RESET button when distillation starts.
7. About an hour after you switch on power, distilled water will begin to drip into the storage tank.
8. The power supply shall switch off automatically when distillation is completed.
*Never remove the upper cover while the distiller is on. Turn off power supply if wish to stop the distillation process.

◆ Maintenance

- Never use abrasive cleaners or brushes on your distiller.
- After each cycle rinse the inside of the boiling chamber with tap water. Do keep the outside dry.
- To remove the buildup of deposits, follow the instructions on the distiller cleaning crystals enclosed. Use it once a week or more, depends on the scale buildup in the boiling chamber.
- If it appears to have a peeling stainless steel, it needs a clean right away.
- The activated charcoal sachet should be replaced once a month or earlier.
- If the condensing coil is clogged with dust, the efficiency of distillation may be affected. To clean the condensing coil, vacuum the coil regularly through the slots in the upper cover.
*All chambers have the "welding spots" in the bottom of the bowl. This is normal.



◆ FAQ

Q: Why my distiller is not making any water?

Please check the main power cord and make sure it is plugged in as well as the upper cover cord is plugged in the base of distiller.

Q: My distiller is not making enough water during each cycle, and steam is leaking from spout, why?

Please make sure:

1. Raw water is filled to the mark line inside the boiling pot.
2. Be sure the proper sitting of the upper gasket.
3. Do place the water collection tank directly under the spout.
4. Condensing fins are clean and not blocked with dust.
5. Fan is working
6. Charcoal sachets are placed in the nozzle properly.