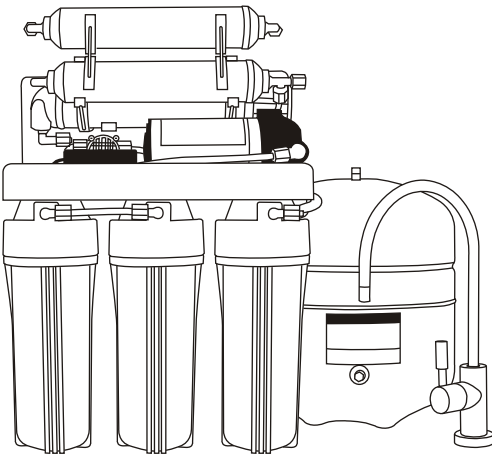


REVERSE OSMOSIS SYSTEM

LUX-106A-P
USER'S MANUAL

- 01 Introduction of LUX-106A-P
- 02 What is reverse osmosis
- 03 Components & Selected filters
- 04 The parts of LUX-106A-P
- 05 Cartridge filters
- 06 The functions of alkaline filter
- 07 Tubing connection diagram
- 08 Installation diagram
- 09 Change filters
- 10 Change membrane
- 11 Operation regulation
- 13 FAQ
- 14 Maintenance checking list
- 15 Memo



Thank you very much for selecting Pure-Pro Water Corp.
In order to bring the best use of your system, please read the user's manual carefully before installation and follow the regulations.

Introduction of LUX-106A-P

Alkaline Water For Better Health

The only filtration in the world today that will reduce acidity in the body and it will produce natural calcium, magnesium, sodium and potassium ions that can be absorbed 100% in the human body.

PurePro® Luxury LUX-106A is a super quality 6 stage filter system comes with PurePro® USA Alkaline Filter, to offer the very best in water filtration and balanced pH water for drinking. Using reverse osmosis technologies with alkaline filter can actually remove 99.99% of contaminants and provide people with healthy alkaline drinking water.

Features

- 100GPD membrane. (Made in USA)
- 3.2 Gallons NSF Standards Water Storage Tank.
- FDA Approved Polypropylene Made Flat Cap Housing (double o'ring).
- Automatic Shut-off Valve, Flow Restrictor, Stainless Steel Check Valve.
- New Euro-Luxury faucet- supreme quality with elegant design.
- Feed water connector.
- Drain Saddle Valve.
- Four Color Coded 1/4 inch Tubing for System Connection.
- Completely Assembled.
- PurePro label with USA Flag.
- 100% Factory Tested and Sterilized Ready for Installation.
- Installation Instruction.

Specifications

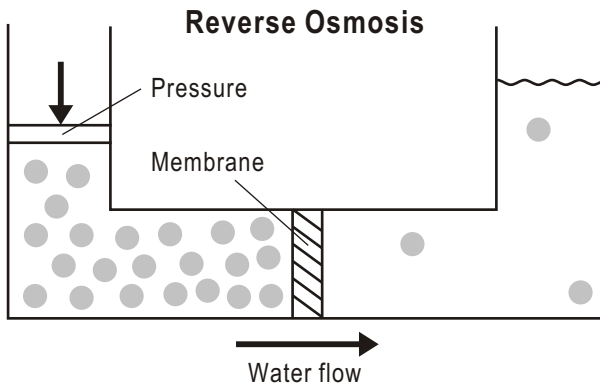
- Membrane: 100 GPD / 378 LPD
- With a transformer, available in 110Volt, 220Volt or 240Volt (50/60Hz)
- Operation pressure: 5-80 psi
- Dimensions: (cm) 37 (L) x 20 (W) x 45 (H) - System
(cm) 28 (L) x 28 (W) x 35 (H) - Tank
- Weight: 8 kg - system
4 kg - tank

Luxury pump RO system

PUREPRO
DRINKING WATER SYSTEM

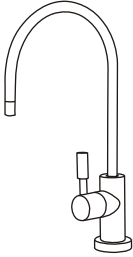
What is reverse osmosis

Reverse osmosis was originally designed to make sea water drinkable for the navy. It is ideal for anyone on a low sodium diet. An R.O. membrane has a pore size much smaller than bacteria virus, or the cryptosporidium parasite. When functioning properly it will remove all microorganisms from tap water and produce sterile water. Reverse osmosis is the reversal of the natural flow of osmosis. In a water purification system, the goal is not to dilute the salt solution, but to separate the pure water from the salt and other contaminants. When the natural osmotic flow is reversed, water from the salt solution is forced to pass through the membrane in the opposite direction by application of pressure—thus the term REVERSE OSMOSIS. Through this process, we are able to produce pure water by screening out the salts and other contaminants.

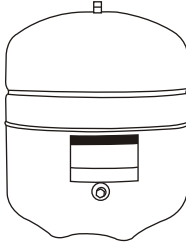


Components & Selected filters

Components



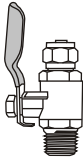
New Euro-Luxury faucet



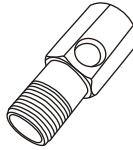
3.2G water storage tank



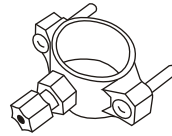
Housing wrench



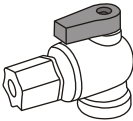
Deliver-valve



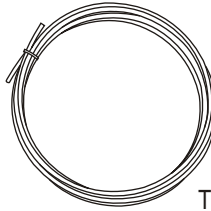
Water supply connector



Drain saddle



Tankball shut-off valve

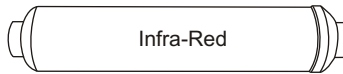


Tubing

Selected filters



Mineral filter



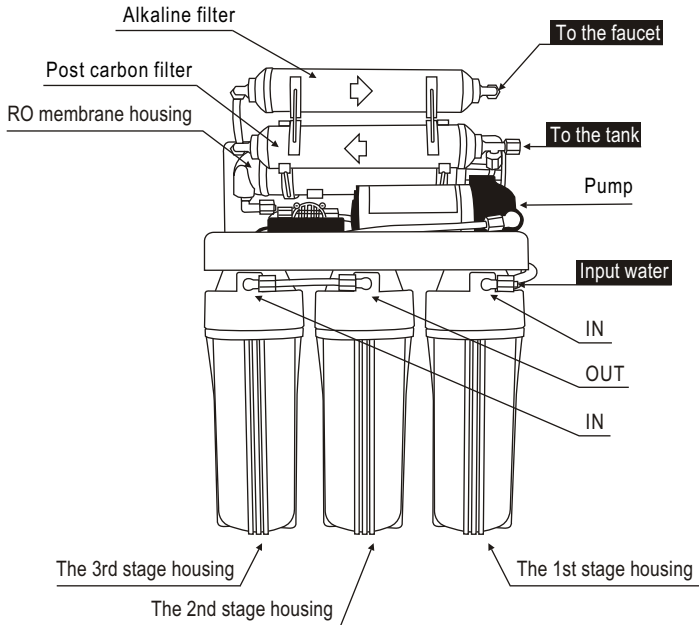
Infra-red cartridge filter



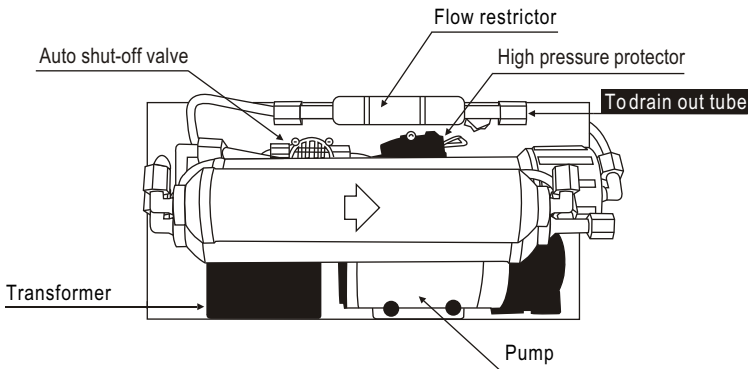
UV water sterilizer

Luxury pump RO system

The parts of LUX-106A-P

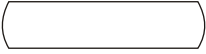
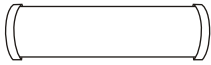

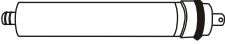




▲ 【Front view】



▲ 【Top view】

Cartridge filters

Cartridge Filters	Filter Description	Service Life
<p><u>Stage 1</u> 5 Micron Sediment Filter</p> 	<p>This 5micron sediment filter is made of 100% pure polypropylene fibers. High capacity filter removes dusts, particles and rusts.</p>	6 Months
<p><u>Stage 2</u> Block Carbon Filter</p> 	<p>This block carbon filter is composed of high-performance carbon that removes free chlorine, odor, organic contaminants, pesticides and chemicals that contributed to taste and odor.</p>	6 Months
<p><u>Stage 3</u> 1 Micron Sediment Filter</p> 	<p>This 1micron sediment filter is made of 100% pure polypropylene fibers. High capacity filter removes dusts, particles and rusts.</p>	6 Months
<p><u>Stage 4</u> TFC Membrane</p> 	<p>Made in USA. High rejection TFC type membrane with the capacity of producing 100 gallons per day. This membrane removes the following hard water contaminants that may be present in your water: lead, copper, barium, chromium, mercury, sodium, cadmium, fluoride, nitrite, nitrate, and selenium.</p>	2 Years
<p><u>Stage 5</u> Post Carbon Filter</p> 	<p>NSF approved. This post carbon filter is designed to improve taste. It removes any residual impurities and odors from the tank and provides a finer conditioning of pure water.</p>	1 Year
<p><u>Stage 6</u> Alkaline Filter</p> 	<p>The Alkaline filter changes the acidic RO water into a perfect Natural Alkali Calcium Ionized Water. The Alkaline filter simply gives back minerals such as ionized calcium, magnesium, sodium, potassium ion, which were taken away while purifying the water.</p>	1 Year

Luxury pump RO system

The functions of Alkaline filter

The Alkaline filter changes the acidic RO water into a perfect Natural Alkali Calcium Ionized Water. The PurePro® Alkaline filter simply gives back minerals such as ionized calcium, magnesium, sodium, potassium ion, which were taken away while purifying the water. The PurePro® Alkaline filter is effective and give the water pH value of 8.00~9.50

- Produces perfectly ph-balanced alkaline water, helps minimize the fluctuations of your body's pH.
- Turn acidic drinking water into alkali calcium ion water.
- This natural calcium, magnesium, sodium, potassium ions can be absorbed 100% by the body.
- It is easily absorbed in the body because it has structurally smaller molecules which help the body take in more water and replenish quickly lost water.
- Makes the water cleaner and healthier.
- This filter improves the qualities of clean water by adding necessary for proper human development and health minerals, such as Calcium, Magnesium, Sodium, Potassium and others readily found in many natural mineral waters.
- Mainly installed with RO systems to complement their absolute filtration qualities.

Technical Specifications:

- Diameter: 53mm
- Length: 254mm
- Max. flow rate: 250 l/24h
- Max. pressure: 6bar
- Max. temperature: 51°C
- Balance pH: pH8.00~9.50
- Capacity: 3000 liters
- Cations in filtered water:
 - Ca²⁺: 55mg/l
 - Mg²⁺: 18mg/l
 - Na⁺: 22mg/l
 - K⁺: 8.5mg/l
- Anions in filtered water:
 - CO₃²⁻: 8mg/l
 - SO₄²⁻: 0.2mg/l
 - Cl⁻: 0.6mg/l
 - F⁻: 0.03mg/l

The alkaline water after the PurePro® alkaline filter has perfectly balanced proportions of minerals necessary for healthy development of the human body. The Alkaline filter changes the acidic RO water into a perfect natural alkaline water. It will reduce acidity in the body and it will produce natural calcium, magnesium, sodium and potassium ions that can be absorbed 100% in the human body.

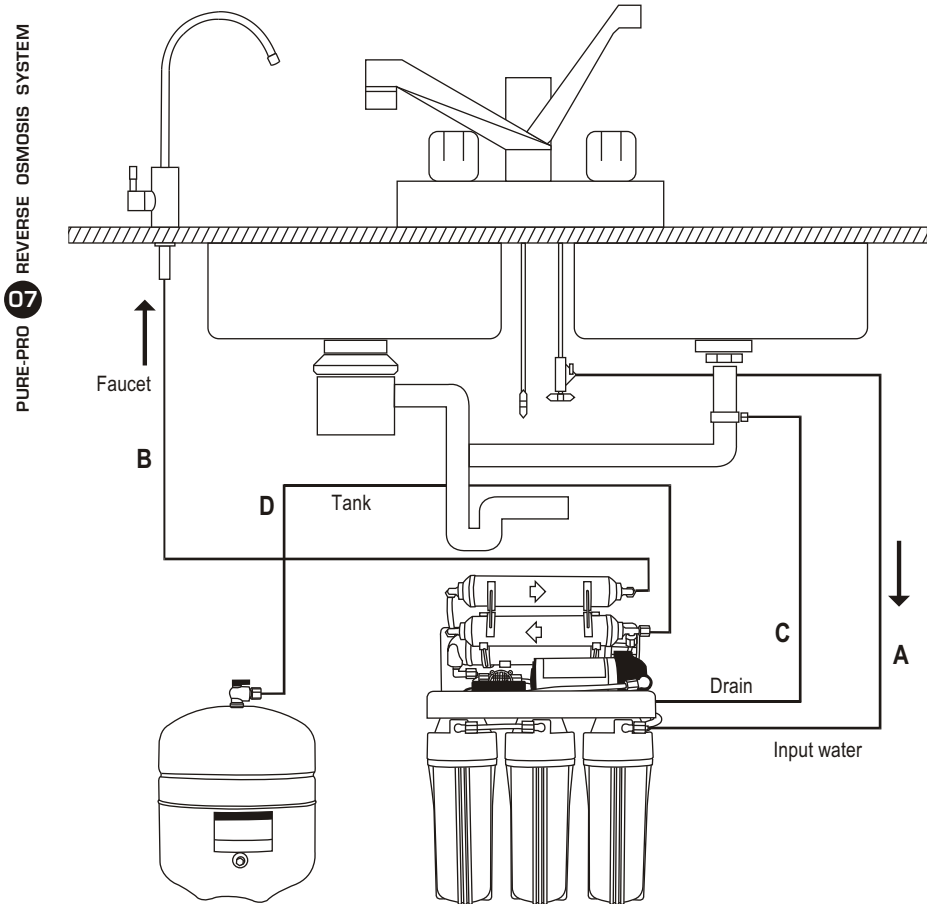
Luxury pump RO system

PUREPRO
DRINKING WATER SYSTEM

Tubing connection diagram

CONNECTING THE COLORTUBING:

- A. Connect the WHITE tubing to the water supply connector.
- B. Connect the BLUE tubing to the sink top faucet.
- C. Connect the BLACK tubing to the drain saddle.
- D. Connect the RED tubing to the storage tank.

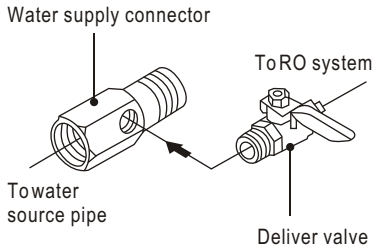


Luxury pump RO system

PUREPRO
DRINKING WATER SYSTEM

Installation diagram

Input water :

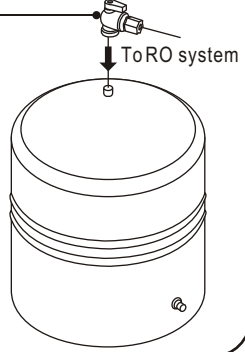


Install water tank :

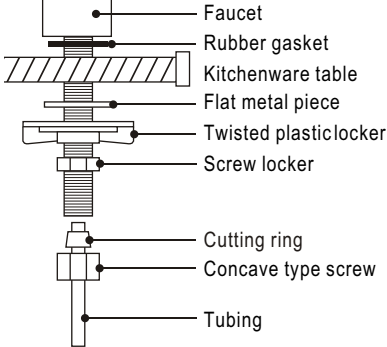
Tank ball shut-off valve

ToRO system

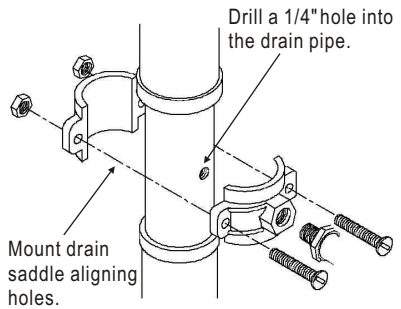
Hand tighten plastic shut-off valve to tank. Then connect color tubing.



Install faucet :



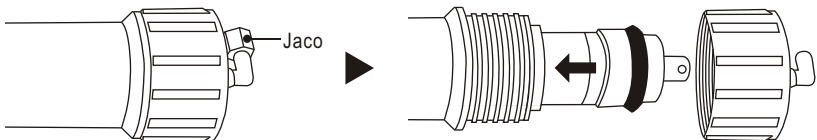
Install drain saddle :



Assemble membrane :

- Loose the Jacofitting anticlockwise.

- Remove the membrane housing cap.
- Install the membrane by carefully pushing the spigot end into the socket at the far end of the housing until completely in.

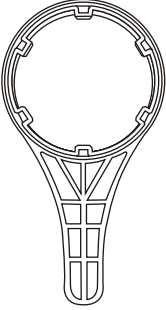


Luxury pump RO system

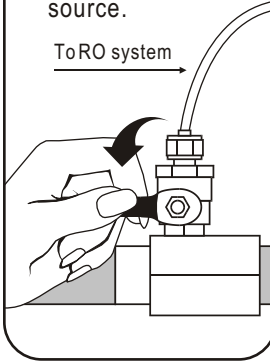
PUREPRO
DRINKING WATER SYSTEM

Change filters

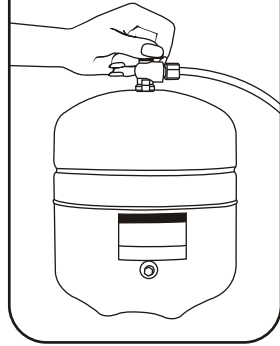
1 Prepare a housing wrench.



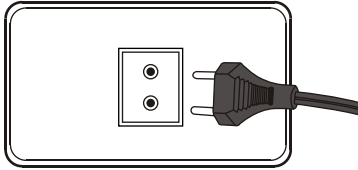
2 Turn off water source.



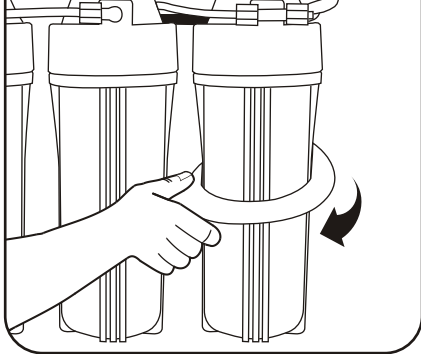
3 Switch off water tank.



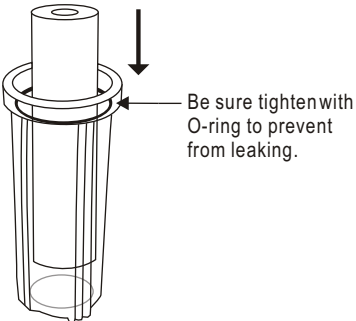
4 Unplug electricity.



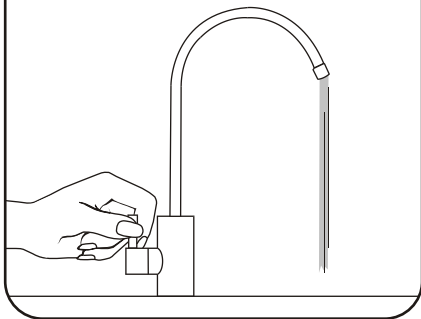
5 Open housings clockwise with a wrench.



6 Put the replacement filters in the housings and double O' ring.

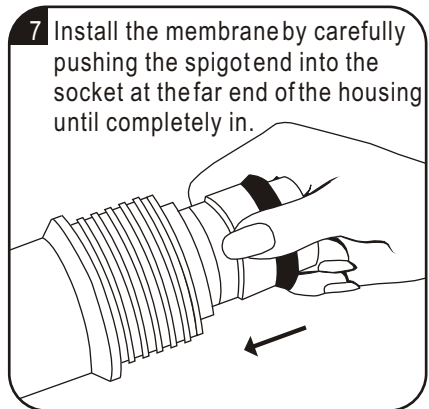
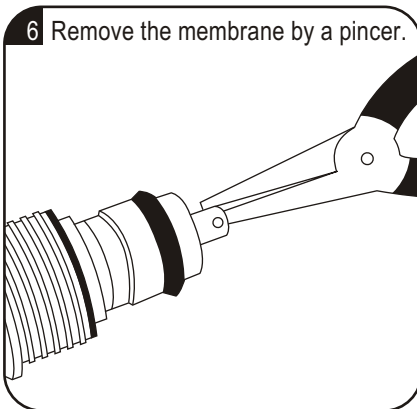
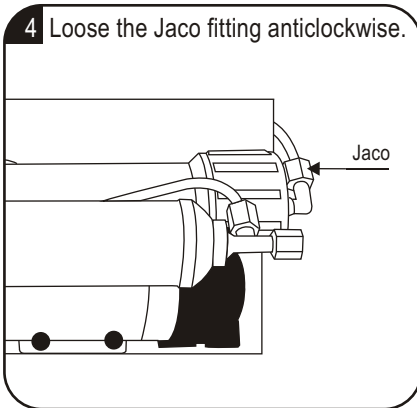
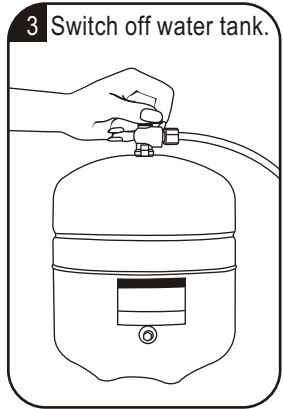
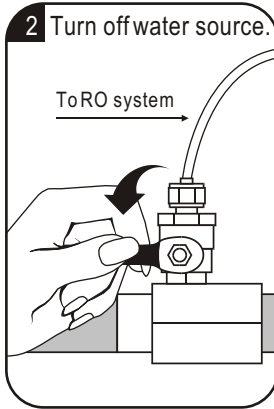
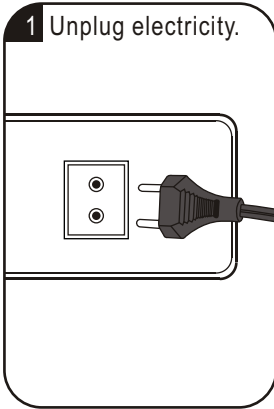


7 Drain out 1 Gallon of water to purify replacement filters.



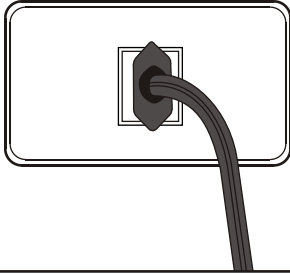
Luxury pump RO system

Change membrane

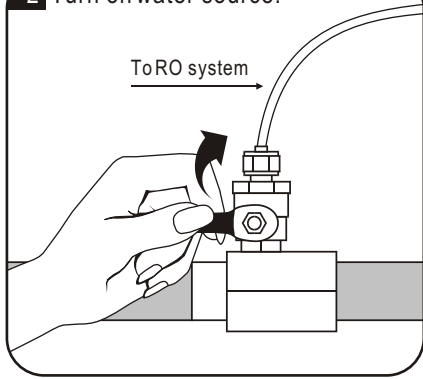


Operation regulation

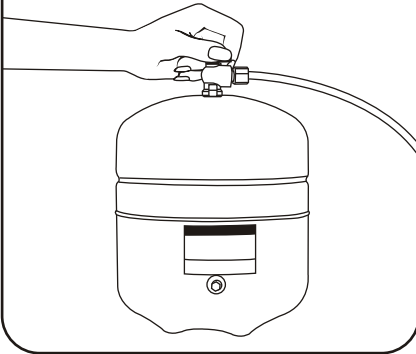
1 Plug in electricity.



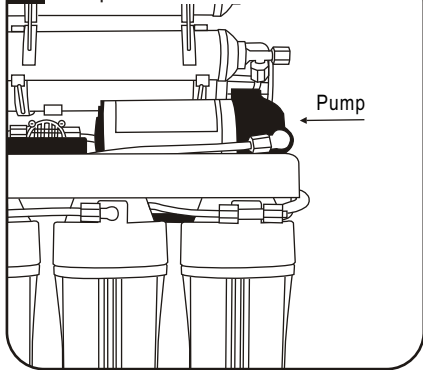
2 Turn on water source.



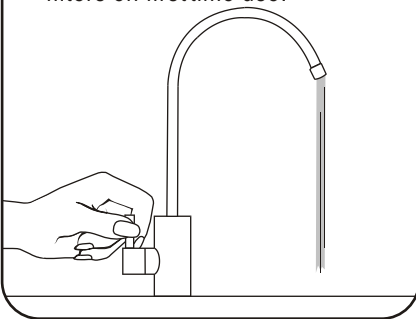
3 Switch on watertank.



4 Pump starts to function.



5 Let the water run for at least 30 minutes. This flushes the carbon filters on firsttime use.



Luxury pump RO system

Operation regulation

- A. With everything connected, turn on the water check for leaks.
- B. Make sure the storage tank shut-off valve is "OFF". Open the sink top faucet.
- C. Within a few minutes (up to 15) the water will start to run from the faucet slowly.
- D. Let the water run for at least 30 minutes. This flushes the carbon filters on firsttime use.
- E. After initial flushing, open the shut-off valve on the tank and close the sink top faucet.
- F. Tank will now full of water (usually 2 to 3 hours) after the tank has filled. Open the sink top faucet and drain all water until the storage tank is empty and there is only a small flow from the sink top faucet.*** DO NOT USE FIRST TANK OF WATER.***
- G. Close the sink top faucet. The system is now ready for use.
- H. Change filters regularly every 6 to 12 months and have the membrane checked annually.

Caution

1. Do not use hot water (over 45°C)!
2. Do not freeze the machine!
3. Switch off electricity and water source if away for more than 5 days, and drain out pure water.

FAQ

Q: What is the guarantee on the PurePro system ?

The PurePro system (excluding filters) is guaranteed for 1 year for material and workmanship. All defective parts will be replaced free within the first year under natural breakdown. The membrane has one year pro-rated guarantee.

Q: What factors affect the quantity and the quality of the water production?

There are four major variables to consider:

1. **Pressure**-The greater the water pressure, the better water quantity and quality it produced. Water pressure of 60 PSI is ideal.
2. **Temperature**-76°F is the ideal water temperature for R.O. 40°F water will cause the production of R.O. water to fall to half of that at 76°F. The maximum water temperature recommended is 85°F.
3. **Total Dissolved Solids (TDS)**-The higher the amount of dissolved contaminants in the water, the lower the quantity of water produced. A high level of TOTAL DISSOLVED SOLIDS can be overcome with additional water pressure.
4. **Membrane**-Different membranes have different characteristics. Some produce more water than others; some have better contaminant rejection capabilities; some have greater resistance to chemical abrasion for longer life. PurePro system includes TW30-1812-100 The Thin Film Composite (TFC) membranes combine the best of these characteristics and are considered the finest membrane in the world.

Q: What is the maintenance schedule for the PurePro system ?

The three pre-filter cartridges should be changed every 6 months. The 5 micron sediment cartridge filter is the first one; the second is a carbon cartridge filter, and the third one is a 1 micron sediment filters. (some systems comes with the Extruded carbon filter.) Failure to change the cartridge every 6 months may cause chlorine to destroy the membrane.

Q: What does the PurePro series drinking water taste like?

The taste of the PurePro water depends on the amount of contaminants in the tap water originally. If 95% of dissolved minerals and chemicals are removed, the R.O. water may taste like distilled water (no minerals), bottled water (low mineral), or natural spring water (moderate mineral content).

Luxury pump RO system

PUREPRO
DRINKING WATER SYSTEM

Maintenance checking list

Filters Date	1st stage	2nd stage	3rd stage	4th stage	5th stage	6th stage

Luxury pump RO system



Memo

Type of product			
Date of purchase			
Name		Tel	
Address			

PURE-PRO 15 REVERSE OSMOSIS SYSTEM

Luxury pump RO system

PUREPRO
DRINKING WATER SYSTEM