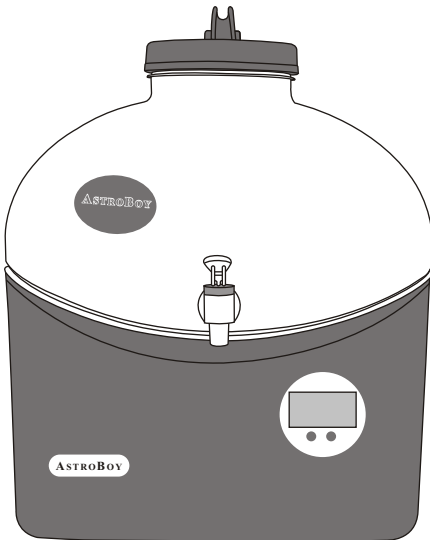


REVERSE OSMOSIS SYSTEM

ASTROBOY
USER'S MANUAL



- 01 Introduction of ASTROBOY
- 02 What is reverse osmosis
- 03 Components & Selections
- 04 Inline cartridge filters
- 05 The parts of ASTROBOY
- 07 Microprocessor control system
- 08 Tubing connection diagram
- 09 Installation diagram
- 10 Work with smart cap
- 11 Operation regulation
- 12 Change filters and membrane
- 13 FAQ
- 14 Maintenance checking list
- 15 Memo

Thank you very much for selecting Pure-Pro Water Corp.
In order to bring the best use of your system, please read the user's manual carefully before installation and follow the regulations.

Introduction of ASTROBOY

ASTROBOY

As a smart countertop RO system, Astroboy is especially designed for homes, offices, restaurants, and shops use. It is the most delightful RO system invention of 21 century. Astroboy not only brings you 100% pure clean water, but with a multi-function tank, you can enjoy pure clean water wherever you are anytime you want it.

With built-in the automatic flushing and self-cleaning procedure, its membrane always remains clean. Water never stands still for a long time to avoid bacteria growing. You can always get the best quality of water. LCD display shows the service life of filter, and tells you if filters need to be replaced. It even knows which filter is expired.

Features:

- Build-in Smart microprocessor control system.
- Complete 5 stage reverse osmosis water filter system.
- Build-in high capacity booster pump.
- Extremely versatile RO system.
- Easy installation, just plug & drink.
- LCD display to show the service life of filters.
- LCD display to tell which filter needs to be replaced.
- Warning if the filter was expired or out of use.
- Auto shut-off when no feed water comes in.
- Self-cleaning procedure to automatic flushing membrane. (every 8hrs)
- Quick-connect fitting for easy maintenance.
- Versatile / Portable water storage tank fits any bottle water dispenser.
- Best Travel Companion.
- Wide Application: Countertop / Outdoor / Motor home / Boat

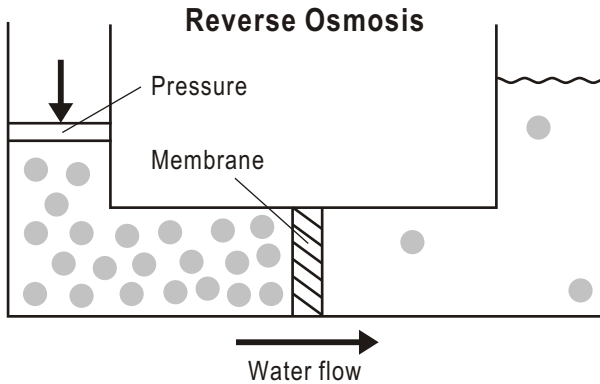
Specifications

Production	80 GPD / 300 LPD
Water storage tank	4.5 gallons / 17 liters
Transformer	220 Volt or 240 Volt (50/60Hz)
Output	DC 24V
Wattage	30W
Operation pressure	10 - 100 PSI
Dimensions	(cm) 36 (L) x 46 (H) x 25 (W)
Weight	12.5 kg
Max. inlet water temperature	46°C

ASTROBOY Countertop Smart RO System

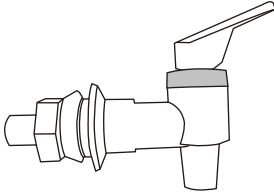
What is reverse osmosis

Reverse osmosis was originally designed to make sea water drinkable for the navy. It is ideal for anyone on a low sodium diet. An R.O. membrane has a pore size much smaller than bacteria virus, or the cryptosporidium parasite. When functioning properly it will remove all microorganisms from tap water and produce sterile water. Reverse osmosis is the reversal of the natural flow of osmosis. In a water purification system, the goal is not to dilute the salt solution, but to separate the pure water from the salt and other contaminants. When the natural osmotic flow is reversed, water from the salt solution is forced to pass through the membrane in the opposite direction by application of pressure—thus the term REVERSE OSMOSIS. Through this process, we are able to produce pure water by screening out the salts and other contaminants.

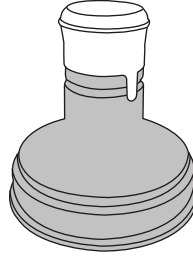


Components & Selections

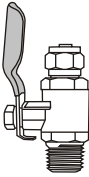
Components



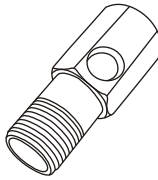
Faucet



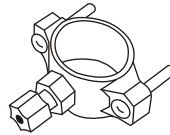
Smart cap



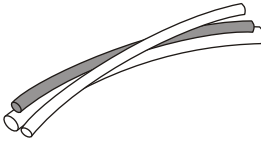
Deliver-valve



Water supply connector

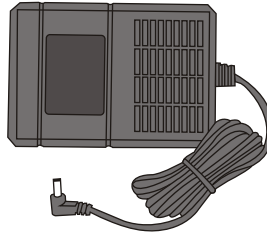


Drain saddle



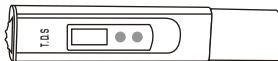
8mm over-flow tube white x 1
6mm feed water tube white x 1
6mm drain out tube orange x 1

Tubes



Transformer

Selections








TDS meter

ASTROBOY Countertop Smart RO System

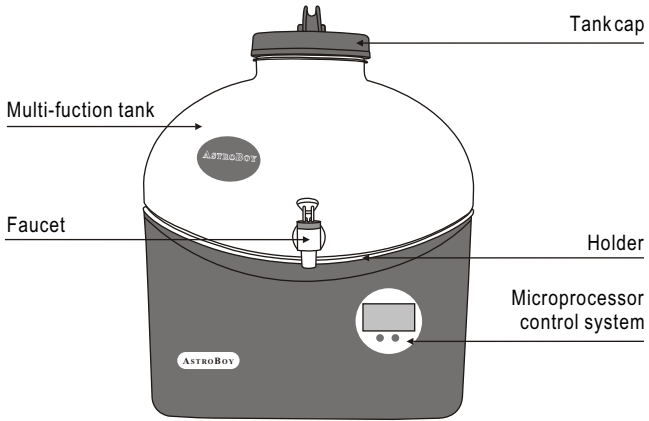
PUREPRO
DRINKING WATER SYSTEM

Inline cartridge filters

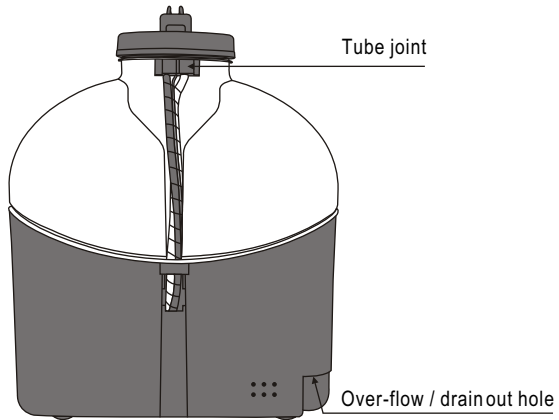
Cartridge Filters	Filter Description	Service life
<p><u>Stage 1</u> Inline 1 Micron Sediment Filter</p> 	<p>This 1micron sediment filter is made by Dupont Anti-Bacteria. High capacity filter removes dusts, particles and rusts, 99.70% anti-bacterial, comply with FDA test standard. Use 100% pure PP fine fiber. Product series have been passed the test in accordance with the filtering effect test of ANSI-NSF standard 42 - particulate reduction class II-V of U.S.A. Service Life:1500GAL</p>	6 Months
<p><u>Stage 2</u> Inline Granular Activated Carbon Filter</p> 	<p>This granular activated carbon filter is composed of high-performance activated carbon that removes free chlorine, odor, organic contaminants, pesticides, and chemicals that contributed to taste and odor. Service Life:1500GAL</p>	6 Months
<p><u>Stage3</u> Inline Granular Activated Carbon Filter</p> 	<p>This granular activated carbon filter is composed of high-performance activated carbon that removes free chlorine, odor, organic contaminants, pesticides, and chemicals that contributed to taste and odor. Service Life:1500GAL</p>	6 Months
<p><u>Stage 4</u> Filmtec Membrane</p> 	<p>Membranes are made in USA. (material are from Dow Chemical), the maker of the world's most advanced reverse osmosis membranes. High rejection membrane with the capacity of producing 80 gallons per day. Eliminates up to 99.9% of most chemicals, dissolved solids, metals, bacteria, and viruses. Service Life:10000GAL</p>	2 Years
<p><u>Stage 5</u> Post Carbon Filter</p> 	<p>This post carbon filter is designed to improve taste. It removes any residual impurities and odors and provides a finer conditioning of pure water. Service Life:3000GAL</p>	1 Year

※ Service life varies with consumption and quality of water.

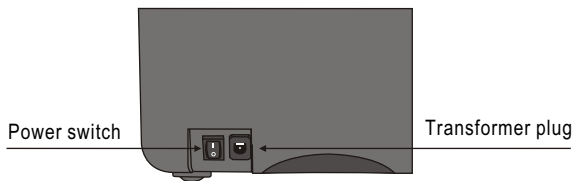
Each part of main body



The front



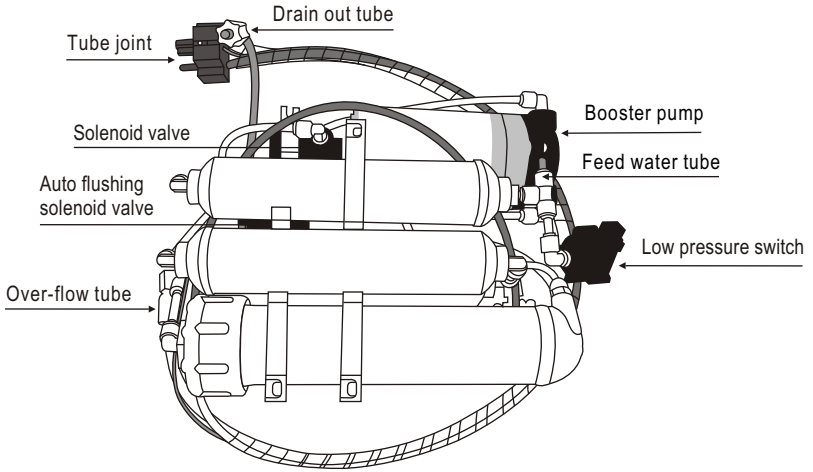
In the back



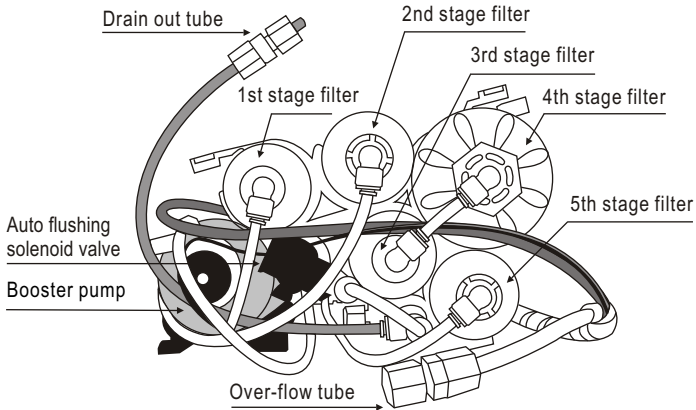
From the side

ASTROBOY Countertop Smart RO System

Each part of main body

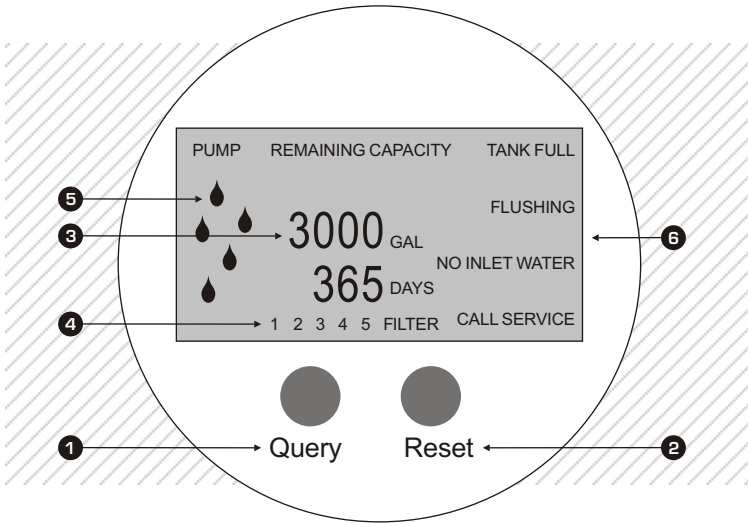


View from the top



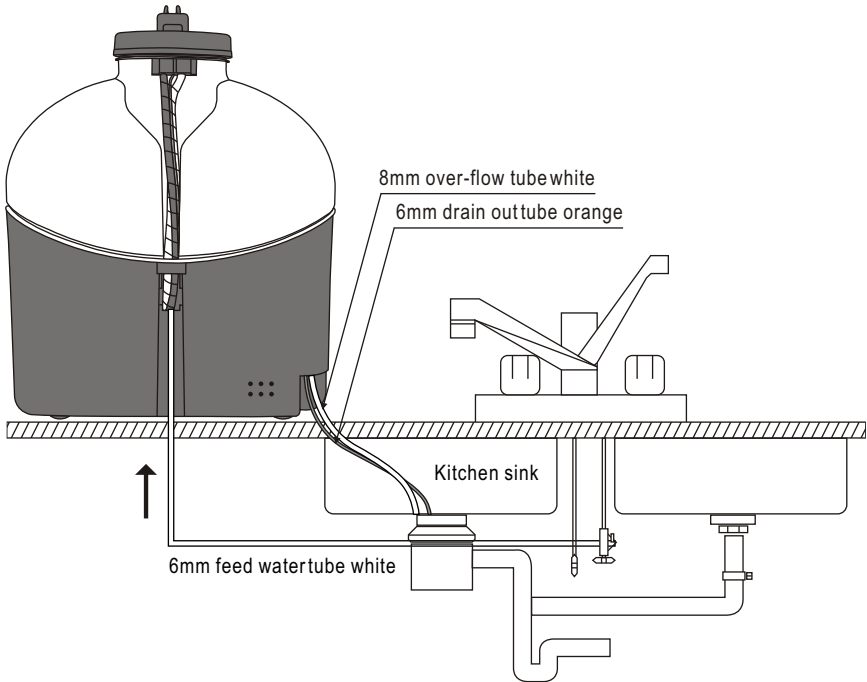
View from the side

Microprocessor control system



- 1 Check the remaining service life of each cartridge filter.
- 2 Reset this system after your have done the replacement.
- 3 Showing life of service for filters.
Example : 1st 1500GAL→1499.....0
2st 1500GAL→1499.....0
3st 3000GAL→2999.....0
4st 9999GAL→9998.....0
5st 6000GAL→5999.....0
- 4 Flashing which filter needs to be replaced.
- 5 Showing the water drop when the system is making the water.
- 6 Showing different functions as follows :
TANK FULL !
FLUSHING : Automatic flushing membrane (per 8hrs).
NO INLET WATER: No feed water!
CALL SERVICE: Flashing when the filter needs to be replaced (filter expired).

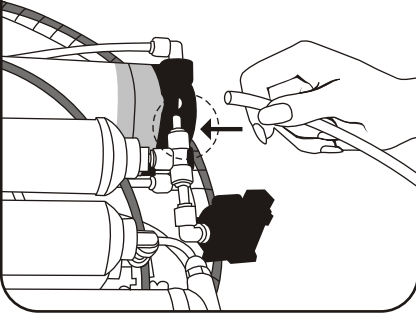
Tubing connection diagram



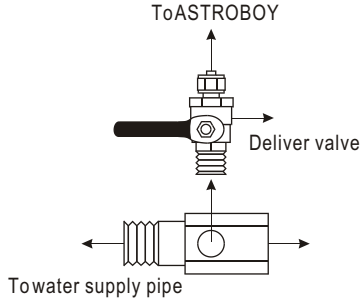
※ Simply leave the drain out tube and over flow tube in the sink!

Installation diagram

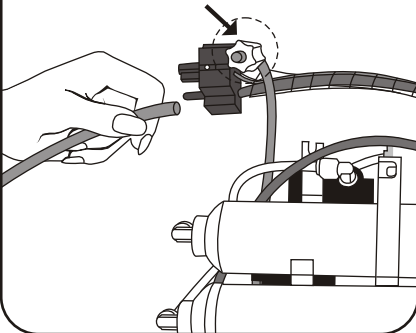
Connect 6mm feedwater tube white



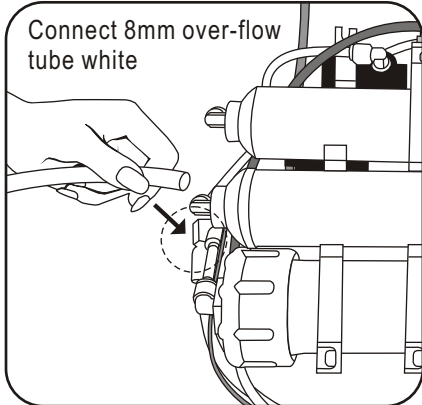
Input water



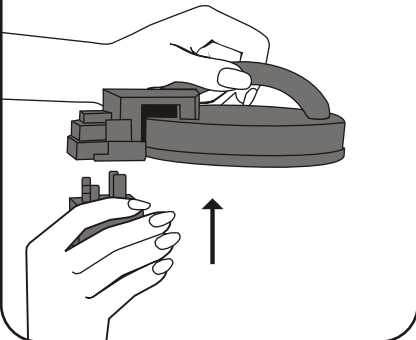
Connect 6mm drain out tube orange



Connect 8mm over-flow tube white



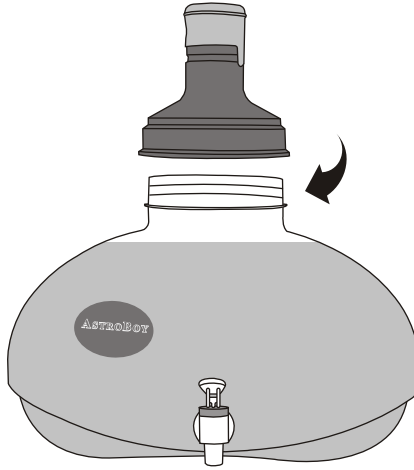
Connect tube joint



Tube joint is the combination of :

- 1.Pure water supply
- 2.Over flow protector
- 3.Auto shut-off switch

Work with smart cap



1. Fasten the smart cap clockwise together with water tank.



2. Take off the cover sticker from the smart cap. Turn the tank upside down and hook up with any counter top drink water systems / coolers.

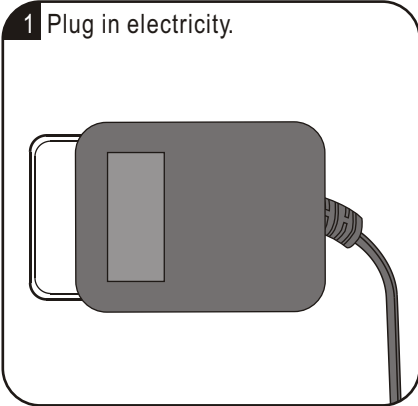
※ It's normal that a plastic stopper shall be floating after turning the water tank upside down.

ASTROBOY Countertop Smart RO System

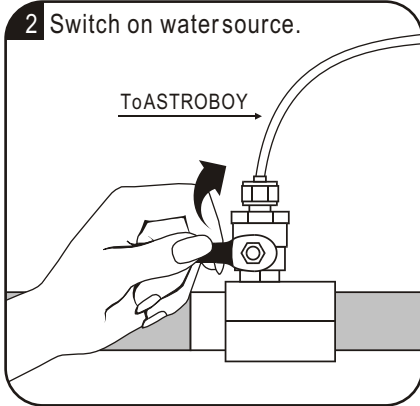
PUREPRO
DRINKING WATER SYSTEM

Operation regulation

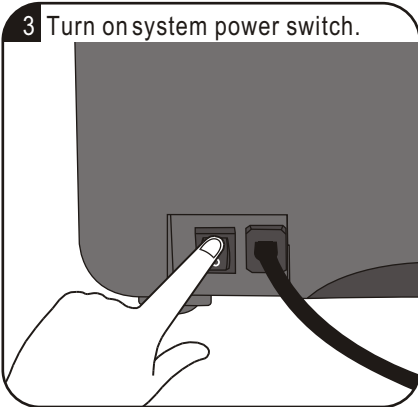
1 Plug in electricity.



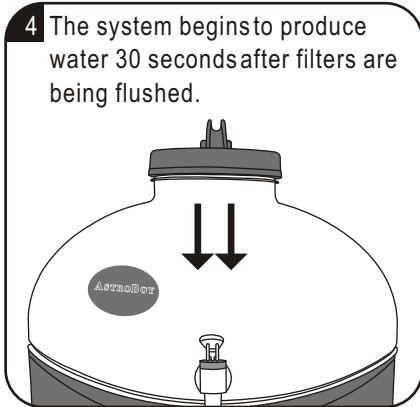
2 Switch on water source.



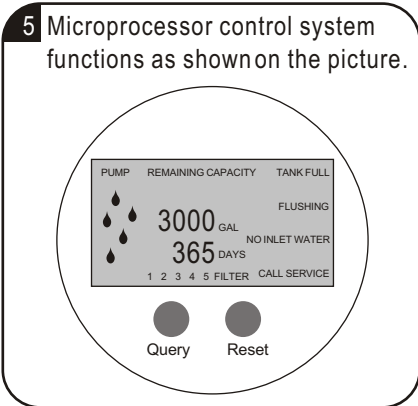
3 Turn on system power switch.



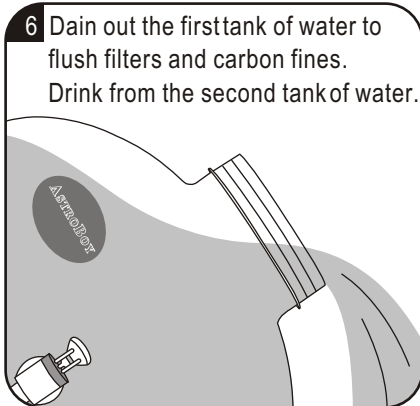
4 The system begins to produce water 30 seconds after filters are being flushed.



5 Microprocessor control system functions as shown on the picture.



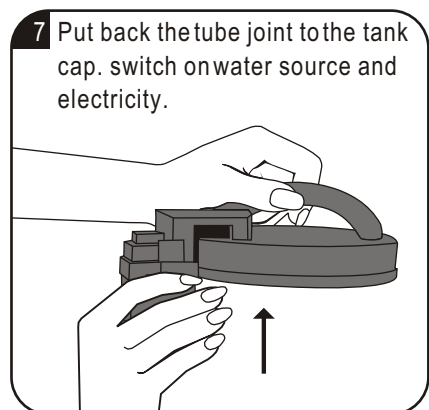
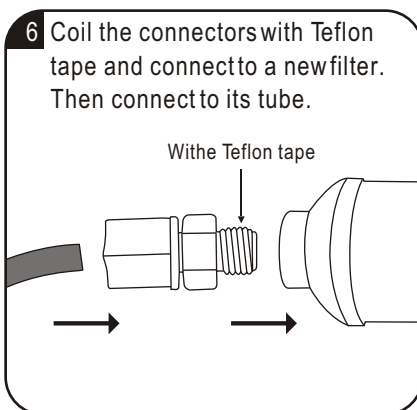
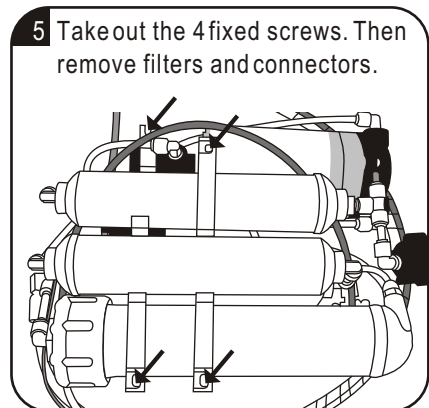
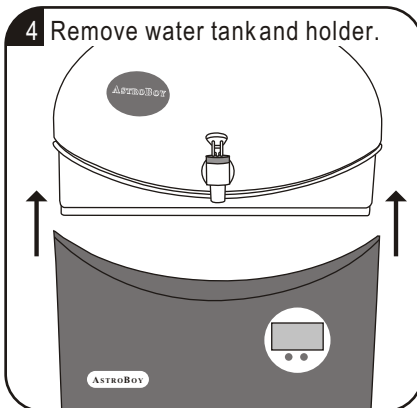
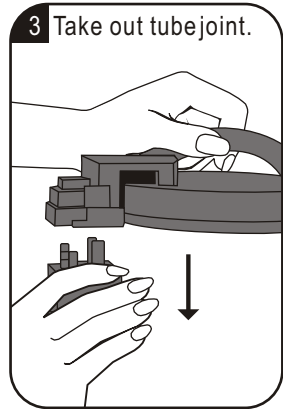
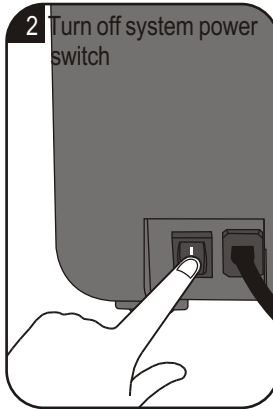
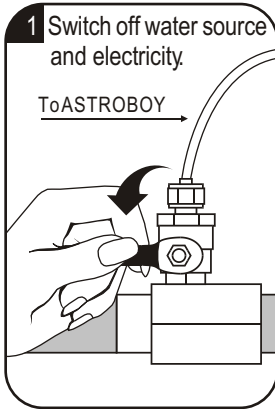
6 Drain out the first tank of water to flush filters and carbon fines. Drink from the second tank of water.



※ When under production of water, it's normal that the drain out tube comes with drain out water. Do not stuff the drain out tube to prevent the system from breaking down.

ASTROBOY Countertop Smart RO System

Change filters and membrane



※ Check carefully to see if there is a leaking. If so, repeat the procedures described above.

ASTROBOY Countertop Smart RO System

PUREPRO
DRINKING WATER SYSTEM

FAQ

Q: Why is the testing result of my TDS higher than 40ppm?

We suggest you stop drinking water from the system if TDS testing result is higher than 40ppm. And change the RO membrane right away. Do remember to change filters regularly.

Q: Can the water tank be used for similar coolers?

Yes, this is a multi-function tank for which you can easily use for any similar coolers.

Q: How does the over-flow tube function?

It acts as a protector when the over-flow ball valve is malfunction.

Q: What should I do if the water productivity is shrinking?

Please change the filters. If the problem remains the same, please contact a nearest distributor for solutions.

Q: What are the importance to change filters regularly?

1. To ensure the quality of drinking water
2. To make the best use and extend the life of systems.
3. Filters have an expired life of service and must be changed regularly.

Maintenance checking list

Filters Date	1st stage	2nd stage	3rd stage	4th stage	5th stage	Other items

Memo

Type of product	ASTROBOY		
Date of purchase			
Name		Tel	
Address			